



YL9900S LC/MS YL9900L LC/MS

Single Quadrupole Compact Mass Spectrometer for Liquid Sample





What is YL9900 LC/MS?

YL9900 LC/MS quickly provides essential information and improves the chemist's workflow. Modern organic labs have become automated, yet real-time mass assays remain just out of reach.

→ YL9900 LC/MS solves this !

YL 9900 MS is the smartest instrument for performing a mass spec solution, if you are a biopharmaceutical company, academic teaching/research lab or any industry requiring mass assays.

■ YL9900 LC/MS Delivers:

- Positive and negative ions analysis
- ESI / APCI (switchable with minimal effort, optional installation)
- The first mass spec which fits in a fume hood with the sash closed
- Easy access to the YL9900 LC/MS :
10 connectors located on the front of the instrument
(8 I/O connectors, USB port and computer connector)
- Integrated solutions :
 - FIA
 - LC or UPLC
 - Flash
 - Reaction monitoring
 - TLC

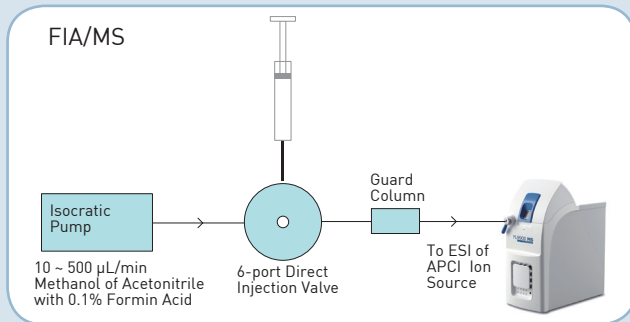
■ Software

- An inviting interface with powerful depth
 - Mass Express™, Data Express™.
- YL-Clarity both LC and MS with MS Extension only.



Maximize your Results and Investment

Elegant stand - alone Integrated solution

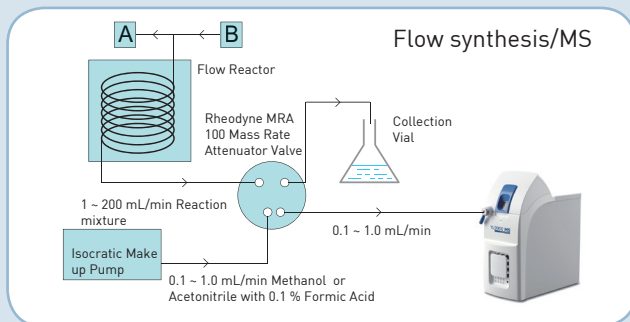
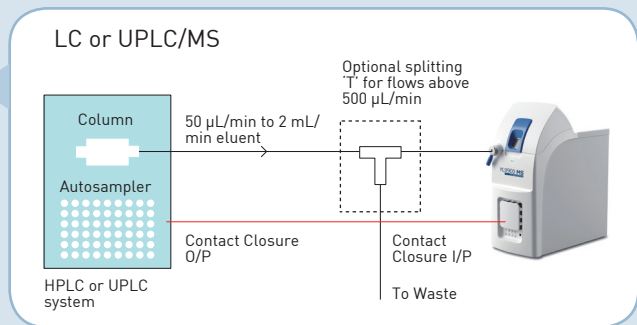


Flow Injection Analysis (Direct Injection)

Real-time reaction monitoring :
Understand kinetics and reach intelligent quench
decisions

LC or UPLC / MS

A mass detector which can be integrated into
existing HPLC and UPLC systems
Replacing expensive mass spectrometers
purchased from another era

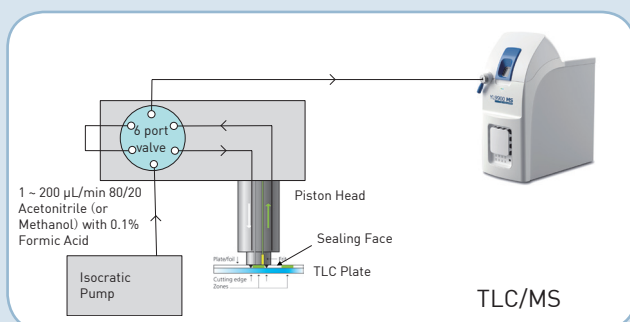
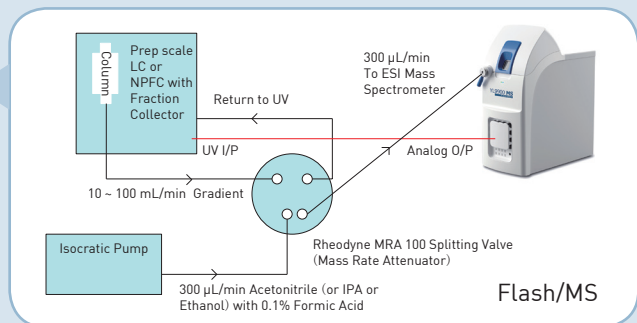


Flow Synthesis / MS

On-line flow chemistry reaction monitoring

Flash / MS

Mass directed (or Mass confirmed, UV directed)
fraction collection from normal phase flash
chromatography, prep LC and SFC.



TLC / MS

Mass confirmation of flash fraction :
Eliminate TLC plate spotting or 2nd guessing UV
peaks and TLC spots

Mass Express™ for the MS control

Data Express™ for the Data processing

■ Simple!

We focused in the minimum steps and most efficient range of motion required for decision-bearing answer.

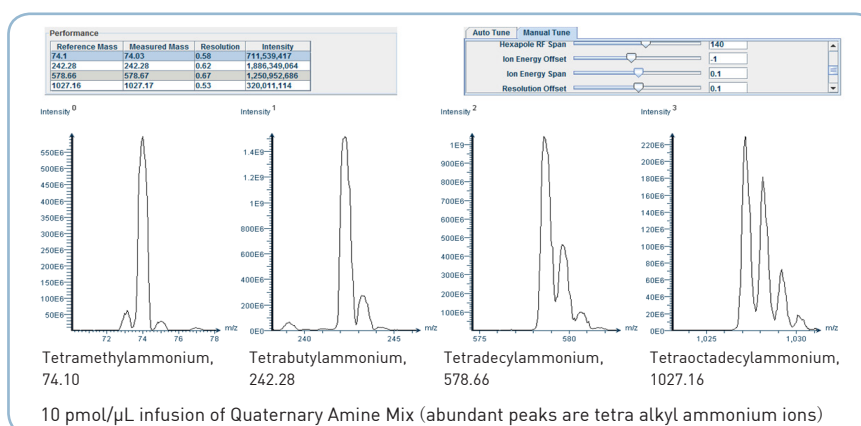
■ Ultimate confidence!

You can export cdf and csv files and you have thought of all possible options for data archiving and interpretation.

■ Auto tune

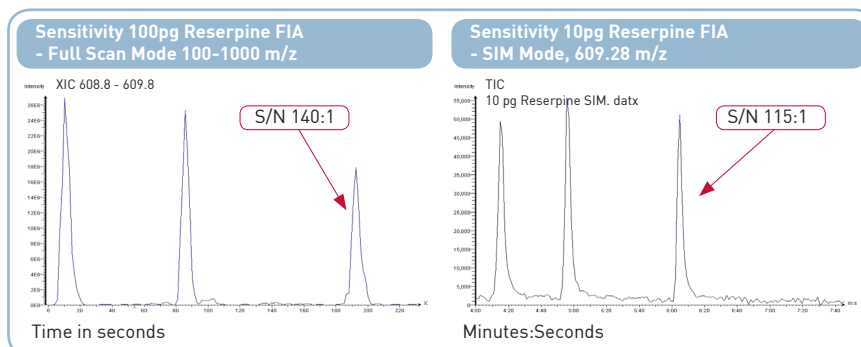
The YL9900 LC/MS uses a pressurize calibrant delivery system for both positive and negative tuning mixes which are placed inside.

You can also set parameters manually.



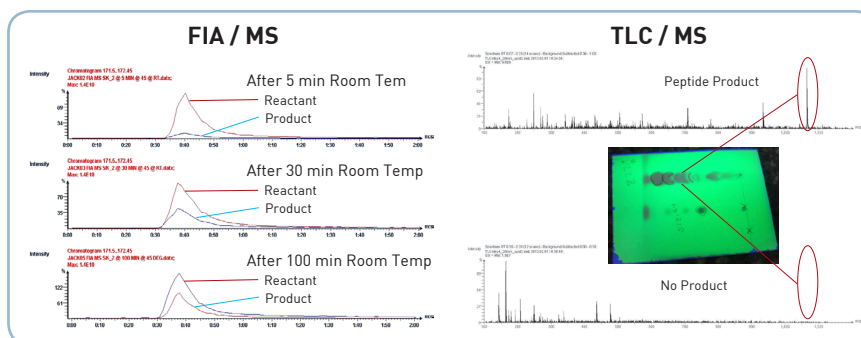
■ Sensitivity

You can overcome poor resolution with UV detector or other detectors. Selective ion mode gives you a high selectivity for all individual chemicals.



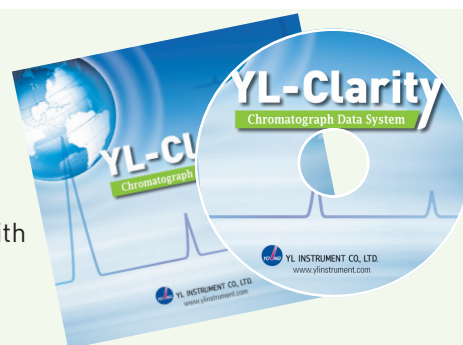
■ Application

Whether your application is FIA, Flash, LC, UPLC or flow reaction monitoring, our data acquisition and workflow approaches are the same.



Powerful YL-Clarity

- ✓ YL-Clarity integrates HPLC/MS control of all operation parameters
- ✓ You can use the optional NIST Library and User Library
- ✓ It is designed for 21 CFR Part 11 Compliance and fully compatible with all Windows OS.



The CHIEF MATE of your LAB!

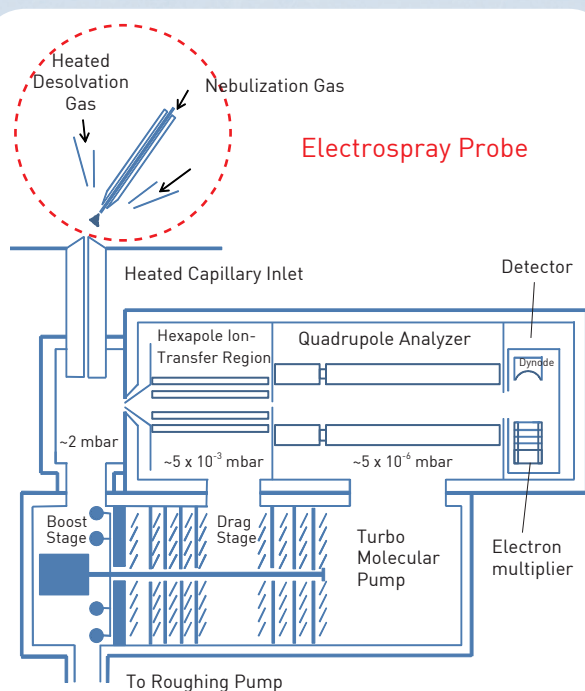
- ✓ **C**ompact Size
- ✓ **H**igh Performance
- ✓ **I**deal Design
- ✓ **E**asy Operation
- ✓ **F**ast Analysis

YL9900 LC/MS

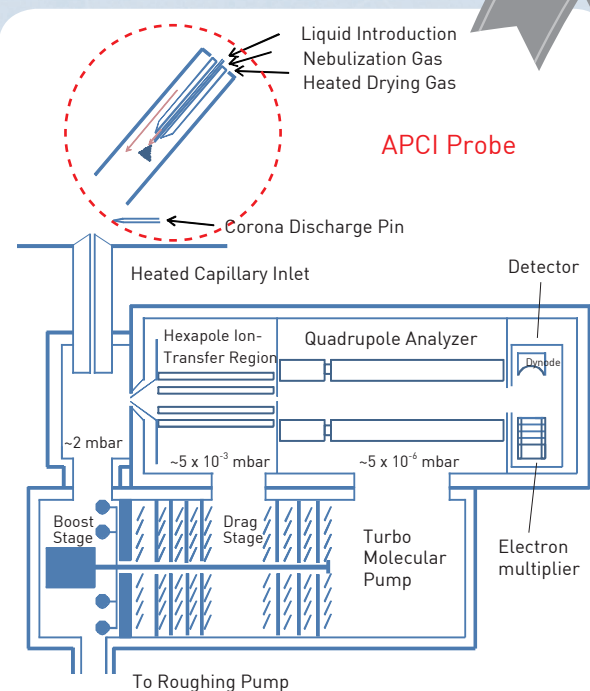
Unrivalled expertise in mass spectrometry
just for the chemist

Ionization
technique:
**Patent-
pending design**

ESI Electro spray Ionization



APCI Atmospheric Pressure Chemical Ionization



YL9900 LC/MS (Model S and L)

The smartest mass spec designed **just for Chemists!**

■ Specification

YL9900 LC/MS	
Mass Analyzer	Single Quadrupole
Mass Range	S : 10 ~ 1,200 m/z, L : 10 ~ 2,000 m/z
Scan Speed	10,000 m/z/s
Ion Source	ESI / APCI (Option)
Polarity	Positive / Negative ion switching in single analysis
HPLC Flow Rate	ESI : 10 µL/min to 1 mL/min, APCI : 10 µL/min to 2 mL/min
Resolution	0.5 ~ 0.7 m/s (FWHM) at 1,000 m/z/s
Sensitivity	10 pg reserpine (FIA - 5 µL injection at 100 µL/min) 100:1 S/N (RMS) with ISIM of m/z 609.28 100 pg reserpine (FIA - 5 µL injection at 100 µL/min) 100:1 S/N (RMS) with full-scan acquisition from m/z 100 to m/z 1,200
Accuracy	± 0.1 m/z
Stability	0.1 m/z over 12 hour
Gas	N ₂ , 98 %, 60 psi
Gas Consumption	8 L/min
Weight	32 kg
Dimensions (H × W × D, mm)	660 × 280 × 560
Power Consumption	Max. 300 VA (MS) Max. 550 VA (Rotary pump)
Software	Mass Express™ / Data Express™ YL-Clarity
Warranty	1 year



YL INSTRUMENT CO., LTD.

The iDEA makes iDEAL! KOREA MADE

Young Lin Bldg., 899-6, Hogye-dong, Anyang, 431-836, Korea

TEL: 82-31-428-8700 / FAX: 82-31-428-8779

E-mail: export@younglin.com

Homepage: : www.younglin.com



These Products are manufactured by Young Lin
ISO 9001-certified facility that is periodically audited by the
registering body to ensure compliance